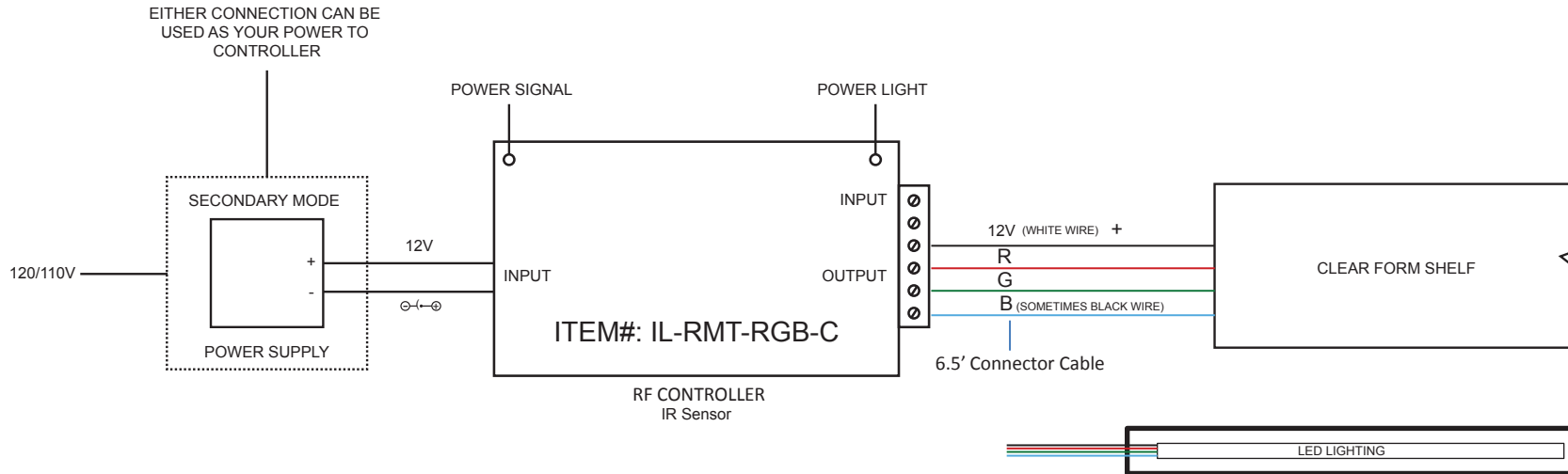
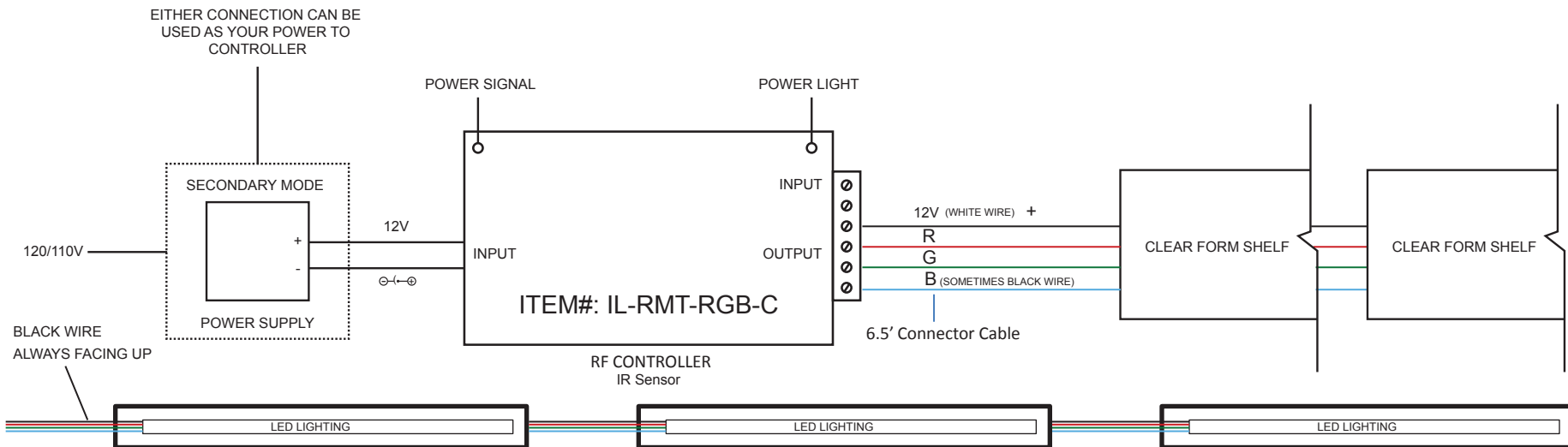


SINGLE SHELF INSTALLATION



MULTIPLE SHELVES INSTALLATION



INSTRUCTIONS

Verify the contents of the box. You should have received at minimum:

- (1) Power Supply
- (1) LED Controller
- (1) Remote
- (1) 6.5' Jumper Cable
- Package of Pins
- Mounting Brackets
- Clear Form Shelf

1. Verify all of the shelves are working properly before mounting them.
2. Plug in the connector from the power supply to the LED Controller
3. Connect a 6' jumper cable to the connector on the LED controller with the 4 pin connectors provided. Be sure the white arrows are facing each other.
4. Connect the cable to the lighting in the first shelf.
5. After you have connected everything, plug the power supply in and your shelf should illuminate. If it doesn't, use the remote control to turn the power on.

6. If you are connecting more than one shelf use the jumpers to connect the first shelf to the second. Continue this for however many shelves you have.
7. Once you have verified all shelves are working install the mounting brackets and run your cables either on or inside your drywall.
8. When choosing a location for the power supply and controller please keep in mind that the LED Controller operates off of the infrared remote so you must place the controller in a location you have line-of-site to for easy operation.